

## Humidity and temperature transmitter

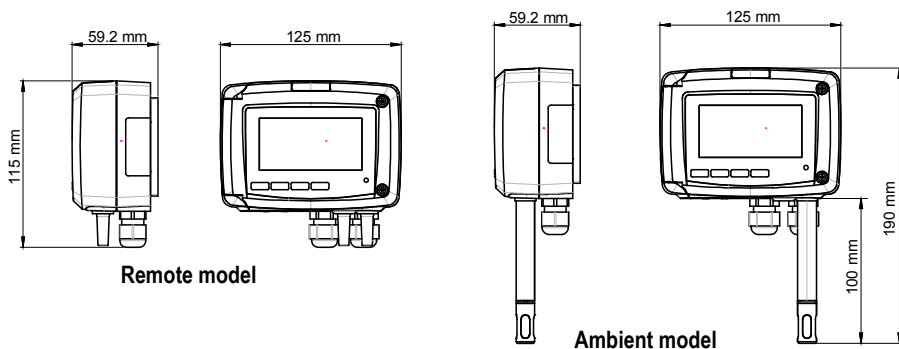
### TH 210

#### KEY POINTS

- Functions : relative and absolute humidity, dew point, wet and dry temperature and enthalpy
- Stainless steel or polycarbonate probe
- 4 wires analogue output 0-5/10 V or 0/4-20 mA
- Power supply 24 Vdc/Vac or 230 Vac (optional 115 Vac)
- Trend indicator
- ABS V0 IP65 housing, with or without display
- "1/4 turn" system mounting with wall-mount plate



#### FEATURES OF THE HOUSING



**Material :** ABS V0 as per UL94

**Protection :** IP65

**Display :** 75 x 40 mm, LCD 20 digits 2 lines.

**Height of digits :** Values : 10 mm ; Units : 5 mm

**Cable gland :** For cables Ø 8 mm maximum

**Weight :** 320 g

#### TECHNICAL FEATURES IN HUMIDITY

<b>Measuring range</b>	From 0 to 100%RH
<b>Analogue output</b>	Configurable from 0 to 100%RH
<b>Unit of measurement</b>	%RH
<b>Accuracy*</b> (Repeatability, linearity, hysteresis)	±1.5%RH (if 15°C ≤ T ≤ 25°C)
<b>Drift linked to temperature</b>	±0.04 x (T-20)%RH (if T < 15°C or T > 25°C)
<b>Resolution</b>	0.1%RH
<b>Factory calibration uncertainty</b>	±0.88%RH
<b>Response time</b>	< 10 seconds (from 10 to 80%RH, V <sub>air</sub> = 2 m/s)
<b>Type of sensor</b>	capacitive
<b>Type of fluid</b>	Air and neutral gases

\*All accuracies indicated in this technical datasheet were stated in laboratory conditions, and can be guaranteed for measurements carried out in the same conditions, or carried out with calibration compensation.  
As per NFX 15-113 and the Charter 2000/2001 HYGROMETERS, GAL (Guaranteed Accuracy Limit) which has been calculated with a coverage factor value of 2 is ±2.58%RH between 18 and 28°C on the measuring range from 3 to 98%RH. Sensor drift is less than 1%RH/year.

#### FUNCTIONS

Class 210 transmitters have two analogue outputs which correspond to both displayed parameters. It is possible to activate one or two outputs and to select for each between humidity, temperature and the functions described above\*\* :

**Absolute humidity :** from 2 to 30 000 g/kg ; unit : 1 g/kg

**Dew point :** from -60 to +100 °Ctd ; unit : 0.1°Ctd / 0.1 °Ftd

**Wet temperature (tw) :** from -20 to +102 °C ; unit : 0.1°C / 0.1 °F

**Enthalpy :** from 0 to 15 000 KJ/kg ; unit : 0.1 KJ/kg

\*\*The default configuration for the output 1 is 0-100%RH in hygrometry and 0-50°C in temperature for the output 2.

#### PART NUMBER

To order, just add the codes to complete the part number :

TH 210	—	<input type="checkbox"/>	—	<input type="checkbox"/>	—	<input type="checkbox"/>	—	<input type="checkbox"/>	—	<input type="checkbox"/>
<b>Power supply / Output</b> B : 24 Vac/Vdc H : 230 Vac (optional 115 Vac)				<b>Display</b> O : with display N : without display		<b>Mounting of the probe</b> D : remote S : ambient		<b>Type of probe</b> I : stainless steel P : polycarbonate		<b>Probe length (mm)</b> 150 : remote 300 : remote

**Example :** TH210 - BNDP150

Temperature and humidity transmitter, power supply 24 Vac/Vdc, without display, with remote probe in polycarbonate of 150 mm length.

## TECHNICAL FEATURES IN TEMPERATURE

<b>Measuring range</b>	Ambient model : from -20 to +80 °C Remote model with polycarbonate probe : from -20 to +80 °C Remote model with stainless steel probe : from -40 to +180 °C
<b>Unit of measurement</b>	°C / °F
<b>Accuracy*</b>	±0.3 % of reading ±0.25 °C
<b>Response time</b>	T <sub>90</sub> = 0.9 second for V <sub>air</sub> = 1 m/s
<b>Resolution</b>	0.1 °C
<b>Type of sensor</b>	Pt100 1/3 as per DIN IEC751
<b>Type of fluid</b>	Air and neutral gases

\*All the accuracies indicated in this technical datasheet were stated in laboratory conditions, and can be guaranteed for measurements carried out in the same conditions, or carried out with calibration compensation.

## TECHNICAL FEATURES OF THE PROBE

### > White polycarbonate probe

<b>Measuring range</b>	From -20 to +80 °C
<b>Dimensions of standard probe</b>	Ø13 mm, 100 mm length
<b>Dimensions of remote probe</b>	Ø 13 mm, 150 or 300 mm length (other length on request)
<b>Cable</b>	Silicone Ø4.8 mm, length 2 m (other length on request)



Polycarbonate probes are supplied with a flow-through ABS protection tip with a stainless steel filter 25 µ (ref. : EPP2).

### > 316 L stainless steel probe

<b>Measuring range</b>	From -40 to +180 °C
<b>Dimensions of remote probe</b>	Ø13 mm, 150 or 300 mm length (other length on request)
<b>Cable</b>	Silicone Ø4.8 mm, length 2 m (other on request)



Stainless steel probes are supplied with a flow through stainless steel protection tip with a stainless steel filter 25 µ (ref. : EPI25).

### > Type of tips

Specifications \ Part number	EPP2	EPI25	EPI100	EPFI	EPFT	EPH202
<b>Tip material</b>	ABS <sup>(1)</sup>	St. steel <sup>(2)</sup>	St. steel <sup>(2)</sup>	St. steel <sup>(2)</sup>	PTFE <sup>(3)</sup>	MnO <sub>2</sub> <sup>(4)</sup>
<b>Filter material</b>	St. steel	St. steel	St. steel	St. steel	PTFE	PTFE
<b>Filter type</b>	Meshed	Meshed	Meshed	Sintered	Sintered	Sintered
<b>Maximum particle</b>	25 µ	25 µ	100 µ	10 µ	50 µ	50 µ
<b>Maximum air velocity</b>	25 m/s	25 m/s	20 m/s	30 m/s	25 m/s	25 m/s
<b>Maximum temperature</b>	80 °C	180 °C	180 °C	180 °C	180 °C	180 °C
<b>Relative humidity maximum</b>	95%RH	95%RH	100%RH	90%RH	90%RH	95%RH
<b>Length</b>	30 mm	30 mm	30 mm	30 mm	30 mm	33 mm


### Application

Application	EPP2	EPI25	EPI100	EPFI	EPFT	EPH202
<b>HVAC air-conditioning system</b>	x	x				
<b>Cold storage room</b>			x		x	
<b>Industry</b>	x	x	x	x	x	
<b>Pharma plants / Microelectronics</b>	x	x	x	x	x	x
<b>Dryer</b>				x	x	
<b>Curing</b>				x		
<b>Swimming-pool</b>			x			

## TECHNICAL SPECIFICATIONS

### Power supply

24 Vac / Vdc ±10 %  
230 Vac ±10 %, 50-60 Hz  
115 Vac ±10 %, 50-60 Hz

**Warning: risk of electric shock** 

### Output

2 x 4-20 mA or 2 x 0-20 mA ou 2 x 0-5 V ou 2 x 0-10 V (4 wires)  
Common mode voltage <30 VAC  
Maximum load : 500 Ohms (0/4-20 mA)  
Minimum load : 1 K Ohms (0-5/10 V)

### Galvanic isolation

Inputs and outputs (models 115 Vac/230 Vac)  
Device fully protected by DOUBLE ISOLATION or REINFORCED ISOLATION   
Outputs (models 24 Vac/Vdc)

### Consumption

TH210-B: 5 VA  
TH210-H: 8 VA

### European directives

2004/108/EC EMC  
2006/95/EC Low Voltage  
2011/65/EU RoHS II  
2012/19/EU WEEE

### Electrical connection

Screw terminal block for cable 2.5 mm<sup>2</sup>  
Carried out according to the code of good practice

### PC communication

USB-Mini Din cable

### Environment

Air and neutral gases

### Type of fluid

Air and neutral gases

### Conditions of use (°C/%RH/m)

From -10 to +50 °C. In non-condensing condition. From 0 to 2000 m.

### Storage temperature

From -10 to +70 °C

### Security

Protection class 2  
Pollution degree 2  
Overvoltage category 2

### External aggression :

Tips protect against the following external aggressions :

- **Water droplets** : EPFT
- **Shaving** : EPI25 et EPFI
- **Dust** : EPFI
- **Chemical product and grease** : EPFT
- **H<sub>2</sub>O<sub>2</sub> (hydrogen peroxide)** : EPH202

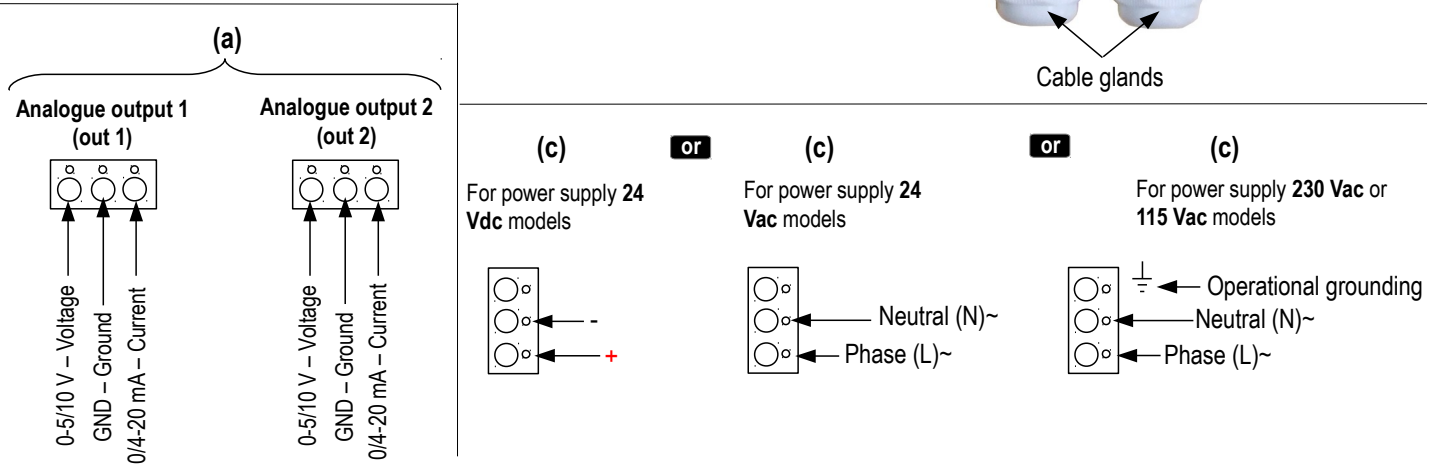
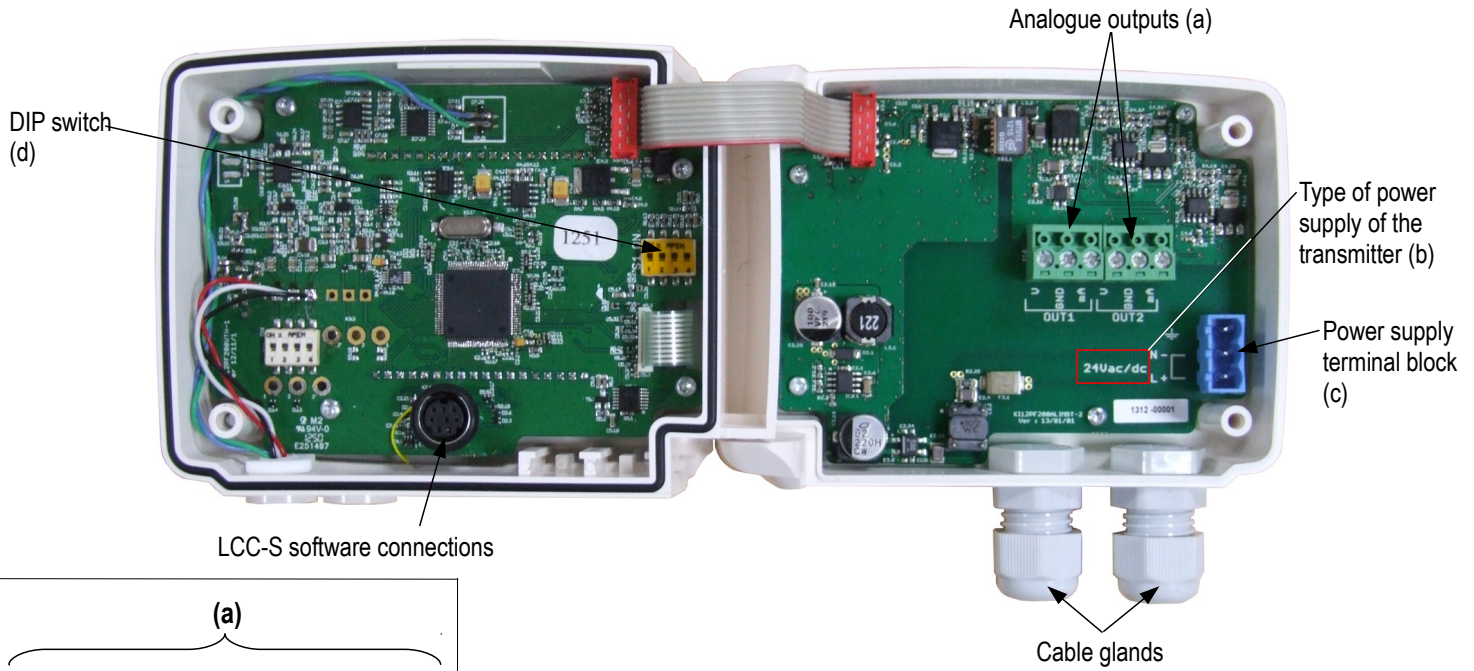
<sup>(1)</sup> **ABS** : white acrylonitrile butadiene styrene

<sup>(2)</sup> **Stainless steel** : 316 L

<sup>(3)</sup> **PTFE** : white Teflon®

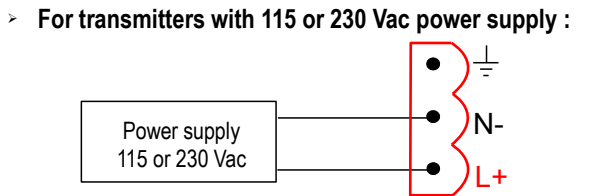
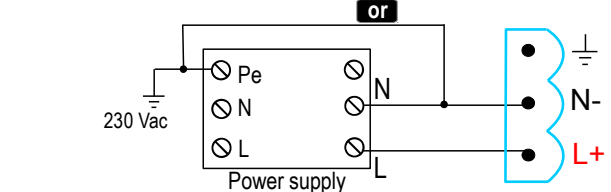
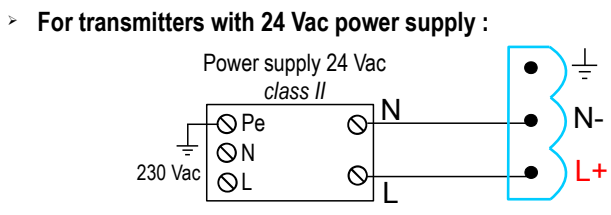
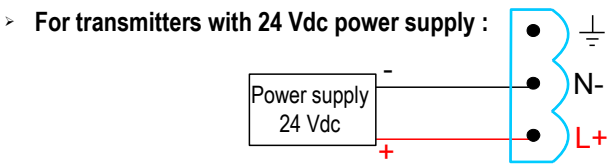
<sup>(4)</sup> **MnO<sub>2</sub>** : manganese dioxide

# CONNECTIONS



## ELECTRICAL CONNECTIONS – as per NFC15-100 standard

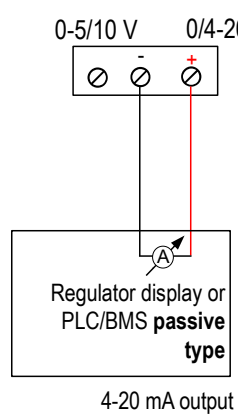
**⚠** This connection must be made by a formed and qualified technician. To make the connection, the transmitter must not be energized. Before making the connection, you must first check the power supply indicated on the transmitter board (see (b) on “Connections” part). The presence of a switch and a circuit breaker upstream the device is compulsory



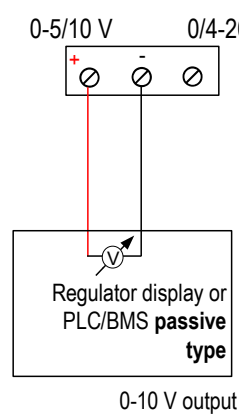
The selection of the output signal in voltage (0-10 V or 0-5 V) or in current (4-20 mA or 0-20 mA) is made via the DIP switch (d) of the electronic board of the transmitter : put the on-of switches as shown in the table below :

Configurations	4-20 mA	0-10 V	0-5 V	0-20 mA
Combinations				

> Connection of the output in current 4-20 mA :



> Connection of output in voltage 0-10 V :



**⚠** On 115 or 230 Vac models, if a fuse protection is used for the power line, it is imperative to use delayed-action fuses in order to absorb the surge of current when first turned on the transmitter.

## CONFIGURATION OF THE TRANSMITTERS

It is possible on the class 210 to configure all the parameters of the transmitter : units, measuring ranges, outputs, channels, calculation functions, etc, via different methods :

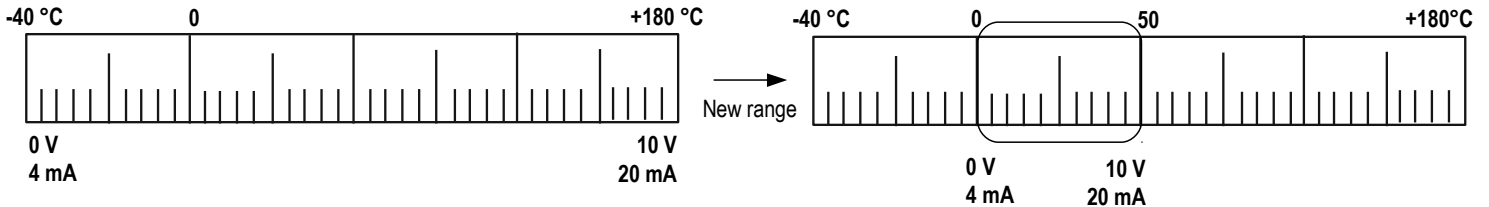
- **Keypad** for models with display : a code-locking system allows to secure the installation (See class 210 user manual).
- **Software** (optional) on all models. Simple user-friendly configuration. See LCC-SD user manual.

### Configurable analogue output :

Range with center zero (-40/0/+40 °C), with offset zero (-30/0/+70 °C) or standard range (0/+100 °C), It is possible to configure your own intermediary ranges

**Caution : the minimum difference between the high range and the low range is 20.**

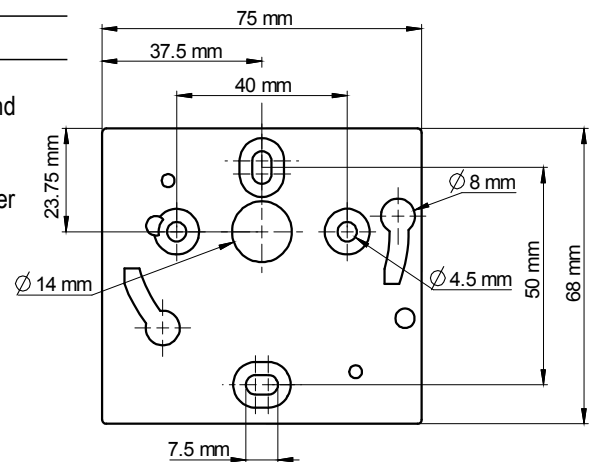
Configure the range according to your needs : outputs are automatically adjusted to the new measuring range



## MOUNTING

To mount the transmitter, mount the ABS plate on the wall (drilling :  $\varnothing 6$  mm, screws and pins are supplied).

Insert the transmitter on the fixing plate (see A on the drawing beside). Rotate the housing in clockwise direction until you hear a "click" which confirms that the transmitter is correctly installed.



## CALIBRATION

**Outputs diagnostic :** With this function, you can check with a multimeter (or on a regulator / display, or a PLC / BMS) if the transmitter outputs work properly. The transmitter generates a voltage of 0 V, 5 V and 10 V or a current of 4 mA, 12 mA and 20 mA

**Certificate :** Class 210 transmitters are supplied with adjusting certificates. Calibration certificates are available as an option.

## MAINTENANCE

Please avoid any aggressive solvent. Please protect the transmitter and its probes from any cleaning product containing formalin, that may be used for cleaning rooms or ducts.

## OPTIONS AND ACCESSORIES

- **LCC-S** : configuration software with USB cable
- **Calibration certificate**
- 115 Vac version transmitter

- Sliding fittings
- Connection fittings
- Cable glands

- Protections tips
- Wall-mounting support bracket for remote humidity probe

 **Only the accessories supplied with the device must be used.**

## PRECAUTIONS FOR USE

Please always use the device in accordance with its intended use and within parameters described in the technical features in order not to compromise the protection ensured by the device.



Once returned to KIMO, required waste collection will be assured in the respect of the environment in accordance with European guidelines relating to WEEE.

[www.kimo.fr](http://www.kimo.fr)

Distributed by :



**EXPORT DEPARTMENT**

Tel : + 33. 1. 60. 06. 69. 25 - Fax : + 33. 1. 60. 06. 69. 29

e-mail : [export@kimo.fr](mailto:export@kimo.fr)